



Two Pieces Ball Valves
1000 WOG (63 bar)
Size 1/4" – 4" (DN 10 - 100) Stainless Steel



Serie 2001IMF
FULL BORE

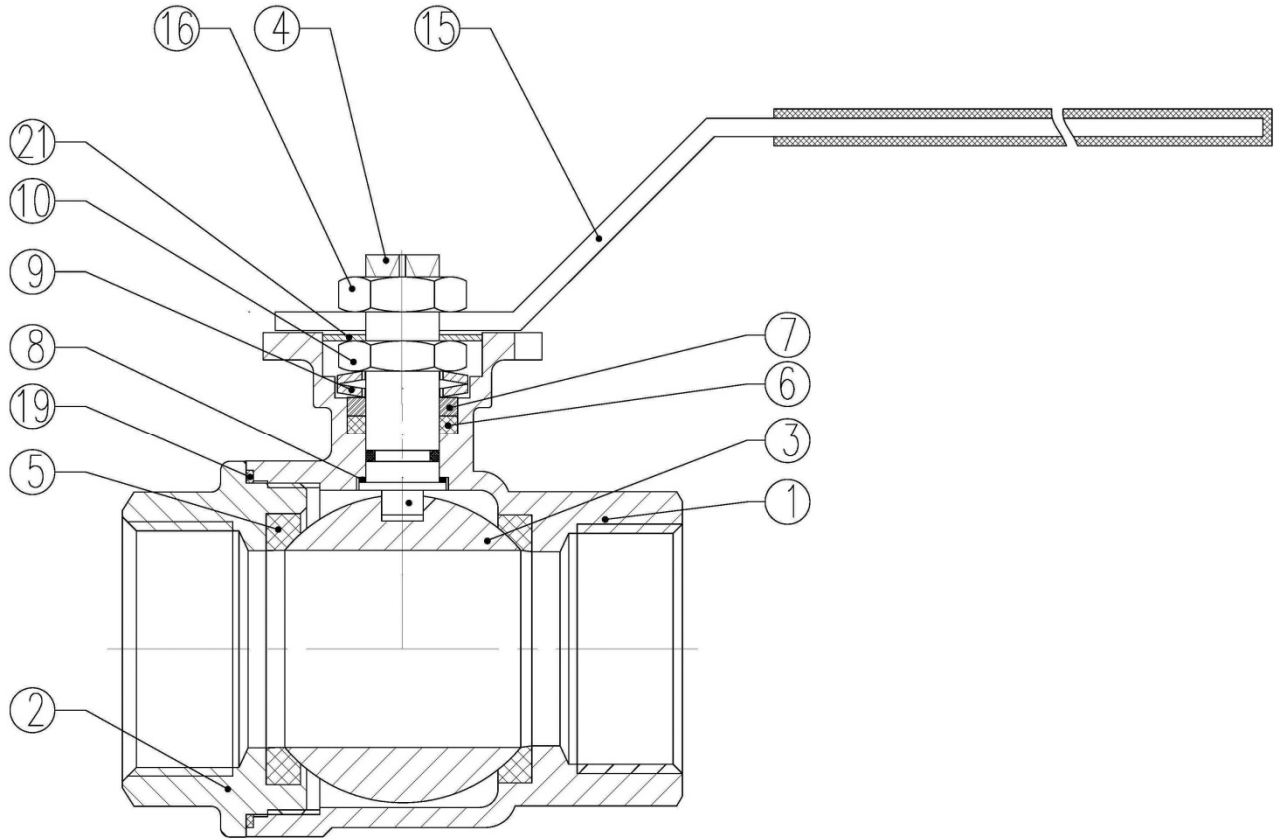
Threaded according:
DIN 259/2999 (GAS)





Two Pieces Ball Valves 1000 WOG (63 bar)

Parts and materials



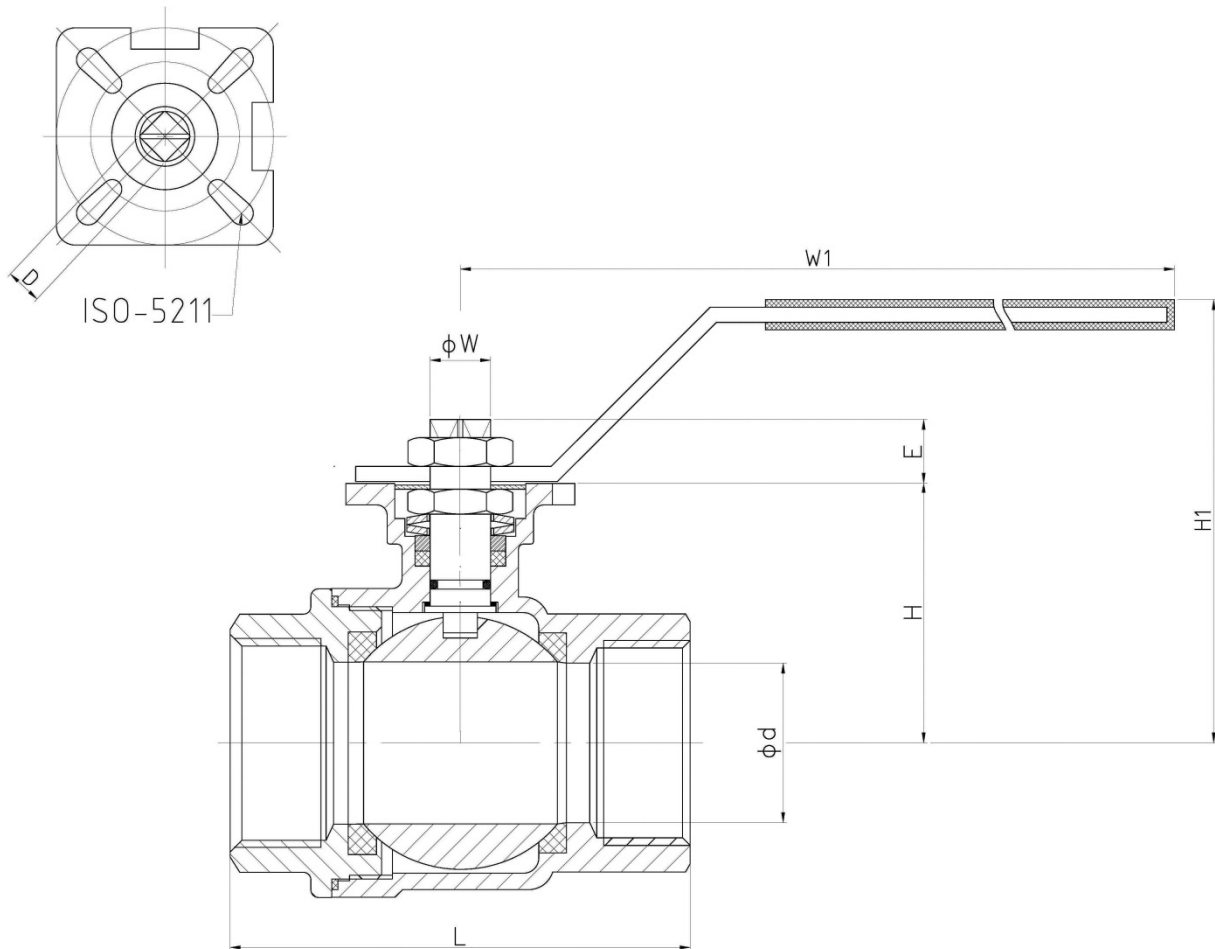
Item	Description	Material
1	Body	ASTMA351 CF8M
2	Body connector	ASTMA351 CF8M
3	Ball	AISI 316
4	Stem	AISI 316
5	Seat ring	PTFE
6	Stem packing	PTFE .
7	Ring	AISI 304
8	Seat thrust seal	PTFE
9	Belleville w asher	AISI 304
10	Gland Nut	AISI 304
15	Handle	AISI 304+PVC
16	Handle nut	AISI 304
19	Body seal	PTFE
21	Washer	AISI 304



Two Pieces Ball Valves

1000 WOG (63 bar)

Dimensions



Dimensions

SIZE	NPS	Ød	L	W1	H1	H	E	D	ØW	ISO 5211	WEIGHT
¼" (DN 10)	¼"	11,6	49	140	70	36,5	9	9	12	F04/03	0,325
⅜" (DN 12)	⅜"	12,5	49	140	70	36,5	9	9	12	F04/03	0,335
½" (DN 15)	½"	15	58	140	72	37,8	9	9	12	F04/03	0,385
¾" (DN 20)	¾"	20	65	140	76	42,5	9	9	12	F04/03	0,495
1" (DN 25)	1"	25	77	160	84	45	11	11	14	F05/04	0,77
1¼" (DN 32)	1¼"	32	90	160	89	51,5	11	11	14	F05/04	1,135
1½" (DN 40)	1½"	38	98	195	99	59,5	14	14	18	F07/05	1,71
2" (DN 50)	2"	50	121	195	109	68,5	14	14	18	F07/05	2,705
2½" (DN 65)	2½"	64	156	350	122	92	17	17	22	F10/07	5,25
3" (DN 80)	3"	76	183	350	130	106	17	17	22	F10/07	7,575
4" (DN 100)	4"	94	240	350	166	116	22	22	28	F12/10	18,635

(*) Dimensions in mm and weight in kg.

Note:

Dimensions not subject to International Standards can vary in $\pm 10\%$. ICP reserves the right to change those dimensions without notice, due to they do not affect integrity and performance of the valves.

ICP VALVES S.A.
E-Mail: sales@icp-valves.com
Internet: www.icp-valves.com

Authorized Distributor



Two Pieces Ball Valves 1000 WOG (63 bar)

Torque, Kv, P&T Rating

Torque Values in Nm

VALVE SIZE	AT DIFFERENTIAL PRESSURE		VALVE SIZE	AT DIFFERENTIAL PRESSURE	
	63 bar			63 bar	
1/4" (DN 8)	4		1 1/2" (DN 40)	25	
3/8" (DN 10)	4		2" (DN 50)	30	
1/2" (DN 15)	5		2 1/2" (DN 65)	36	
3/4" (DN 20)	8		3" (DN 80)	60	
1" (DN 25)	10		4" (DN 100)	95	
1 1/4" (DN 32)	14				

Kv Values in m³/h

VALVE SIZE	Kv	VALVE SIZE	Kv
1/4" (DN 8)	10	1 1/2" (DN 40)	275
3/8" (DN 10)	12	2" (DN 50)	480
1/2" (DN 15)	38	2 1/2" (DN 65)	797
3/4" (DN 20)	66	3" (DN 80)	1210
1" (DN 25)	105	4" (DN 100)	1300
1 1/4" (DN 32)	190		

Pressure-Temperature

